

MODEL-STH500/H500

WOODCREST MANUFACTURING



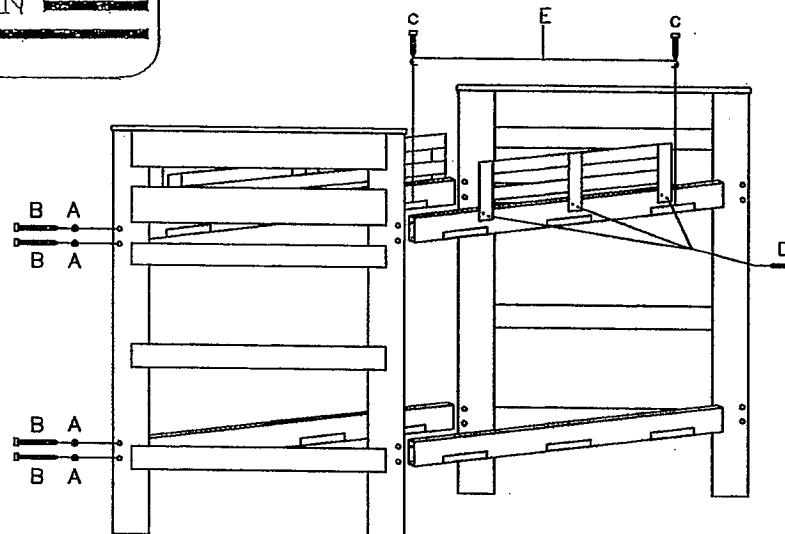
WOODCREST CERTIFIES

This Bunk Bed Model Tested by
an Independent laboratory for
Compliance with ASTM F-1427
Standard Consumer Safety
Specification for Bunk Beds and
Code of Federal Regulations
(CFR) 1213 "Safety Standards for
Entrapment Hazards in Bunk Beds"
and Code (CFR) 1513
"Requirements for Bunk Beds"



MADE IN U.S.A.

BUY AMERICAN



MODEL-H500

- 1) FOLLOW THE INFORMATION ON THE WARNINGS APPEARING ON THE UPPER BUNK END STRUCTURE AND ON THE CARTON. DO NOT REMOVE WARNING LABEL FROM BED.
 - 2) ALWAYS USE THE RECOMMENDED SIZE MATTRESS OR MATTRESS SUPPORT, OR BOTH, TO PREVENT THE LIKELIHOOD OF ENTRAPMENT OR FALLS.
 - 3) SURFACE OF MATTRESS MUST BE AT LEAST 5" BELOW THE UPPER EDGE OF GUARDRAILS.
 - 4) DO NOT ALLOW CHILDREN UNDER "6" YEARS OF AGE TO USE THE UPPER BUNK.
 - 5) PERIODICALLY CHECK TO ENSURE THAT THE GUARDRAIL, THE LADDER, AND OTHER COMPONENTS ARE IN THEIR PROPER POSITION, FREE FROM DAMAGE, AND THAT ALL CONNECTIONS ARE TIGHT.
 - 6) DO NOT ALLOW HORSEPLAY ON OR UNDER THE BED AND PROHIBIT JUMPING ON THE BED.
 - 7) ALWAYS USE THE LADDER FOR ENTERING AND LEAVING THE UPPER BUNK.
 - 8) DO NOT SUBSTITUTE PARTS. CONTACT THE MANUFACTURER OR DEALER FOR REPLACEMENT PARTS.
 - 9) USE OF A NIGHTLIGHT MAY PROVIDE ADDED SAFETY PRECAUTION FOR A CHILD USING THE UPPER BUNK.
 - 10) ALWAYS USE LONG GUARDRAIL ON THE BACKSIDE OF THE UPPER BUNK.
 - 11) THE USE OF WATER OR SLEEP FLOTATION MATTRESS IS PROHIBITED.
 - 12) PROHIBIT MORE THAN ONE PERSON ON THE UPPER BUNK.
 - 13) KEEP THESE INSTRUCTIONS FOR FURTHER REFERENCE.
 - 14) IF THE BUNK BED WILL BE PLACED NEXT TO A WALL, THE GUARDRAIL THAT RUNS THE FULL LENGTH OF THE BED SHOULD BE PLACED AGAINST THE WALL TO PREVENT ENTRAPMENT BETWEEN THE BED AND WALL.
- STRANGULATION HAZARD**
- 15) NEVER ATTACH OR HANG ITEMS TO ANY PART OF THE BUNK BED THAT ARE NOT DESIGNED FOR USE WITH THE BED FOR EXAMPLE, BUT NOT LIMITED TO HOOKS, BELTS, AND JUMP ROPES.

TOOLS REQUIRED

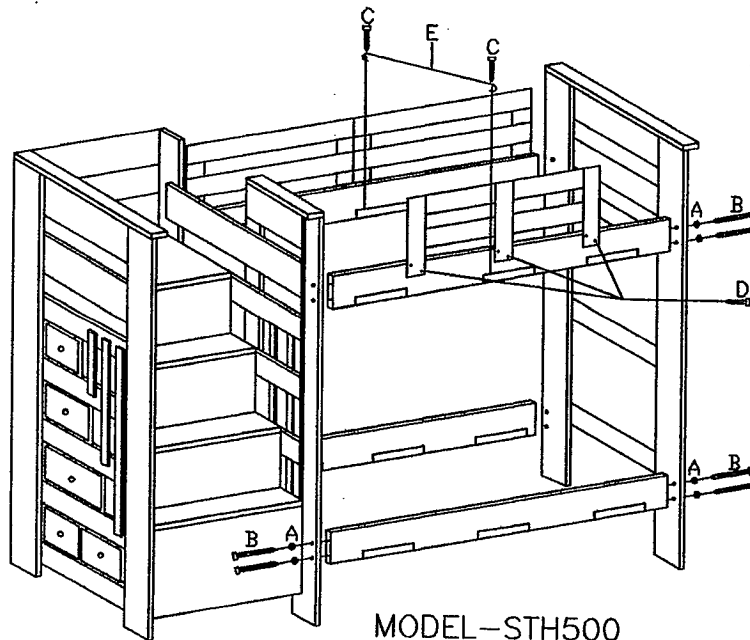
7/16" SOCKET OR NUT DRIVER
 PHILLIPS HEAD SCREWDRIVER
 HAMMER

PARTS

A.	1/4" FLAT WASHERS	16
B.	4" LAG BOLTS	16
C.	#14 x 3/4" SCREWS	8
D.	10 X 2" SCREWS	14
E.	SAFETY WIRES	4
F.	3" DOWELS	4
G.	8 X 2 1/4" SCREWS	2
H.	1/2" CAPS	6
I.	1/4" TEE NUTS	16

MODEL-STH500/H500 BUNK BED ASSEMBLY INSTRUCTIONS

- 1) POSITION SIDE RAIL TO BED POST WITH FOUNDATION BLOCKS TURNED INSIDE AND DOWN. ASSEMBLE WITH LAG BOLTS AND FLAT WASHERS.
- 2) STACK BED- PLACE 3" DOWELS IN DOWEL HOLE OF BOTTOM BED POST. POSITION TOP BED UNIT ON DOWELS IN BOTTOM BED UNIT.
- 3) SAFETY WIRES- POSITION WIRES ON THE TOP OF THE FOUNDATION BLOCKS 1 1/2" FROM THE INSIDE OF THE END STRUCTURE. ASSEMBLE WITH 14 X 3/4" SCREWS.
- 4) GUARD RAILS- POSITION GUARD RAIL TO BED POST. ASSEMBLE WITH LAG BOLTS AND FLAT WASHERS.
- 5) FILLER BOARDS- FILLER BOARDS ARE AFFIXED TO THE END FRAME BY THE MANUFACTURER AND ARE NOT TO BE REMOVED. WHEN STACKING BEDS END FRAMES WITH FILLER BOARDS MUST BE USED FOR UPPER BUNK.
- 6) LADDER- POSITION LADDER AT EITHER END OF TOP SIDE RAIL AND ASSEMBLE WITH 8 X 2 1/4" SCREWS.



MODEL-STH500

REPLACEMENT PARTS

REPLACEMENT PARTS, INCLUDING ADDITIONAL GUARDRAILS, MAY BE OBTAINED FROM ANY OF OUR WOODCREST DEALERS.

SIZE OF MATTRESS AND FOUNDATION

THIS BED IS DESIGNED TO USE A MATTRESS (37 1/2"-38 1/2" x 74"-75") AND BUNKIE BOARD (37 1/2"-38 1/2" x 74" - 75")
 THE TOTAL THICKNESS MUST NOT EXCEED 6 1/2".
 NOTE: THERE MUST BE AT LEAST 5" FROM MATTRESS SLEEPING SURFACE TO TOP EDGE OF GUARDRAIL.