

Fig.4

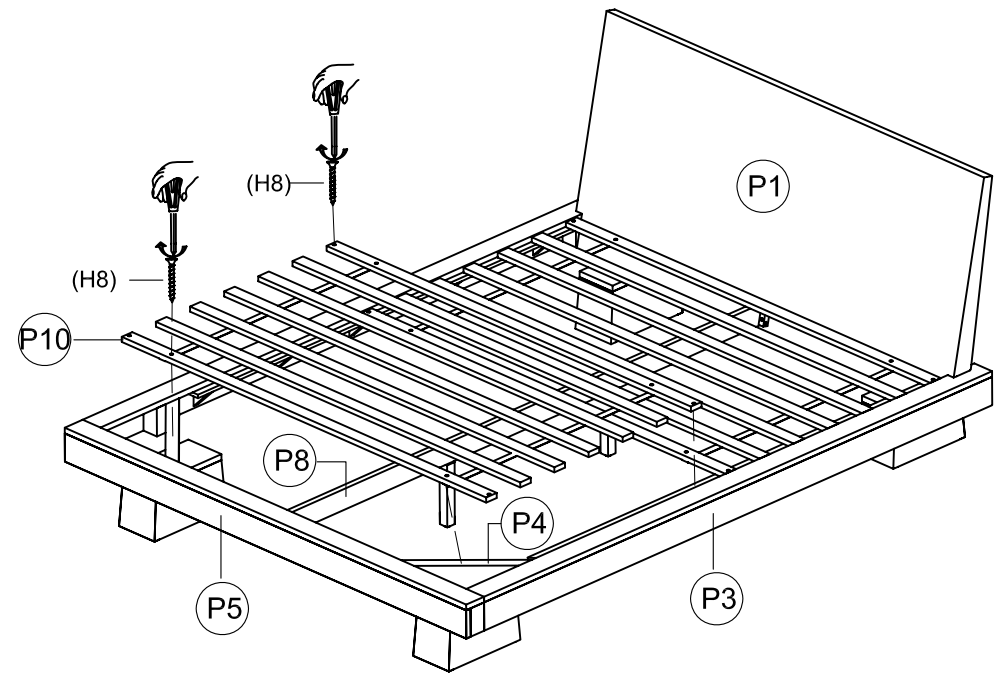


Fig.5

Estimated Assembly Times: 35 Minutes

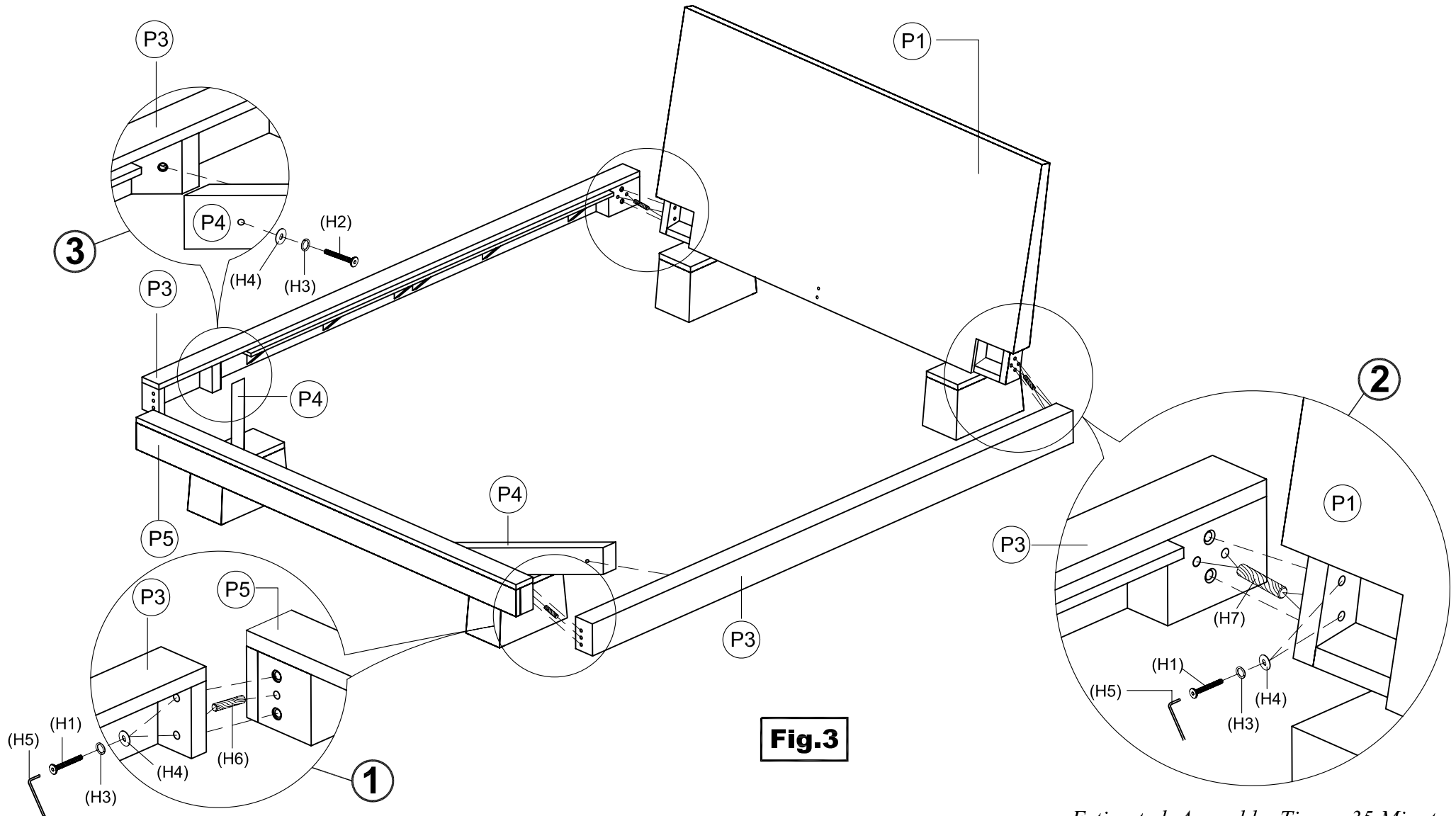


Fig.3

Estimated Assembly Times: 35 Minutes

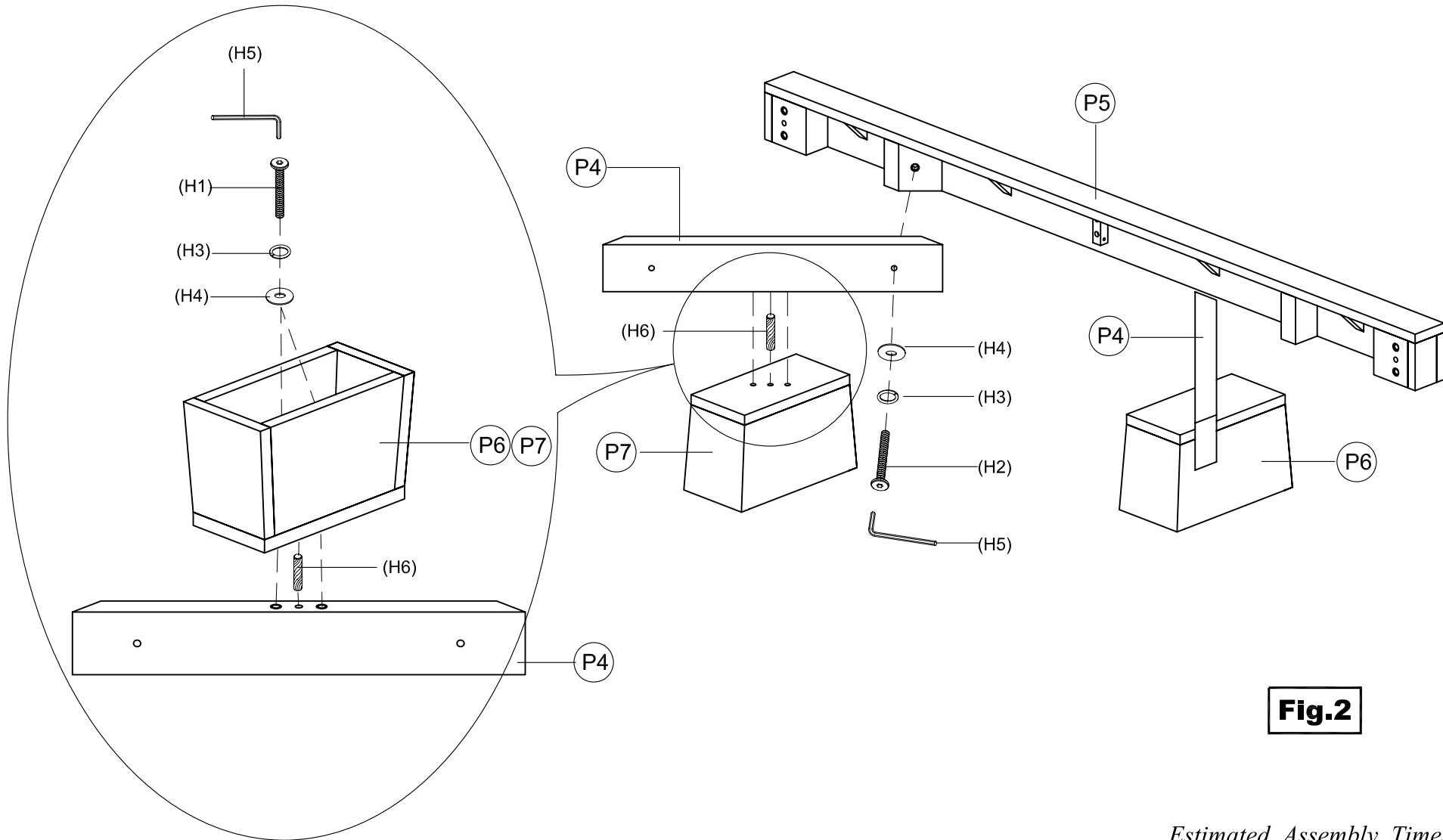


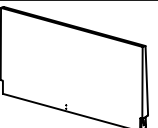
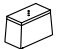






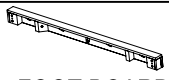

Fig.2

Estimated Assembly Times: 35 Minutes






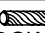


HIDA BED/HIDBQ101,HIDBK101CK,HIDBK101EK

Assembly Instructions:

PARTS LIST

NO.	DESCRIPTION	QTY	NO.	DESCRIPTION	QTY
P1.	 HEAD BOARD	1 PC	P6.	 LEFT FOOT	1 PC
P2.	 REAR FEET	2 PCS	P7.	 RIGHT FOOT	1 PC
P3.	 RAILS	2 PCS	P8.	 CENTER RAIL	1 PC
P4.	 CONNECTOR	2 PCS	P9.	 CENTER RAIL SUPPORTER	2 PCS
P5.	 FOOT BOARD	1 PC	P10.	 SLATS	2 PCS

HARDWARE LIST

NO.	DESCRIPTION	QTY
H1.	 BOLT	20 PCS
H2.	 LONG BOLT	4 PCS
H3.	 LOCK WASHER	24 PCS
H4.	 WASHER	24 PCS
H5.	 ALLEN KEY	1 PC
H6.	 DOWEL	6 PCS
H7.	 LONG DOWEL	4 PCS
H8.	 SCREW	8 PCS

NOTE: PO# is located on back of each item . Please be prepared to provide this # should any claim be necessary.

CAUTION: ITEM IS EXTREMELY HEAVY - PLEASE ALWAYS LIFT & MOVE ITEM WITH AT LEAST 2 PERSONS.

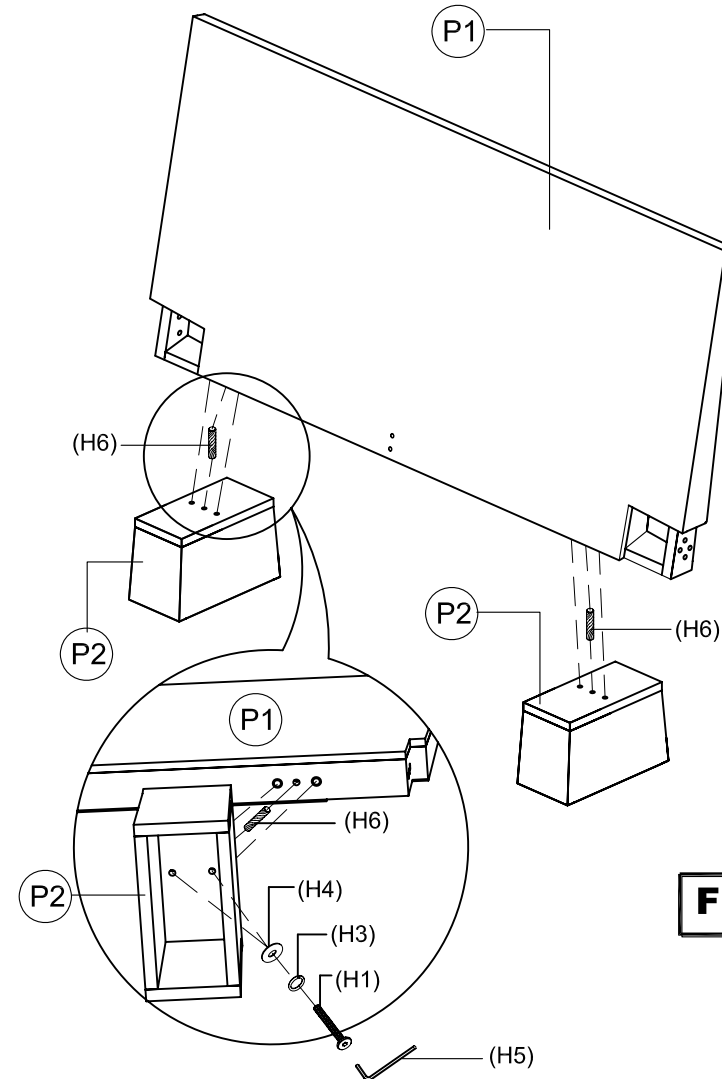


Fig.1

Estimated Assembly Times: 35 Minutes