

Fashion Bed Group

A Division of Leggett & Platt Incorporated

Parts List For Fresno Bed

BED CARTON

- (8) HEADBOARD POST-2
- (9) HEADBOARD PANEL-1
- (10) FOOTBOARD PANEL-1

PART #349601 HARDWARE BAG FOR BED ATTACHMENT TO FRAME

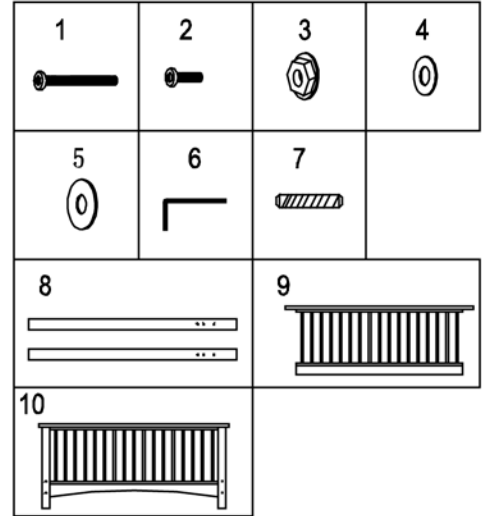
- (1) 1/4-20 3 1/2" FLAT ALLEN HEAD SCREW-8
- (2) 1/4-20 1" FLAT ALLEN HEAD SCREW-4
- (3) 1/4-20 HEX NUT-4
- (4) 5/8" OD FLAT WASHER-8
- (5) 7/8" OD RUBBER WASHER-8
- (6) ALLEN WRENCH
- (7) 1 1/2" X Ø5/16" WOOD DOWEL-4

HEADBOARD CARTON

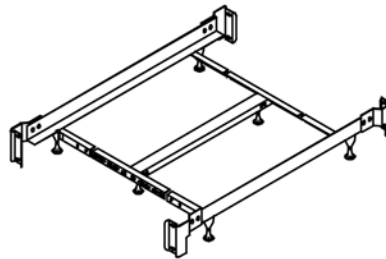
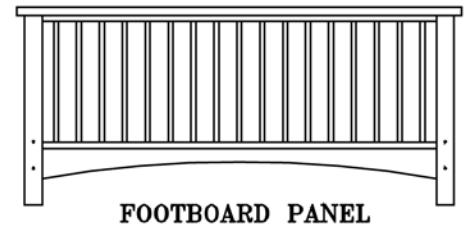
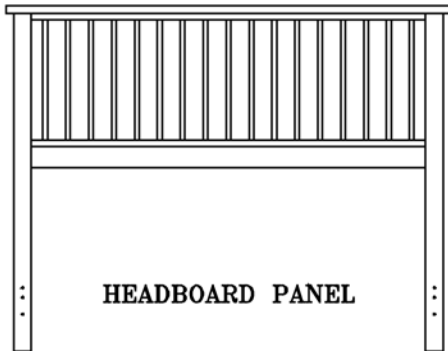
- (8) HEADBOARD POST-2
- (9) HEADBOARD PANEL-1

PART #349602 HARDWARE BAG FOR HEADBOARD ATTACHMENT TO FRAME

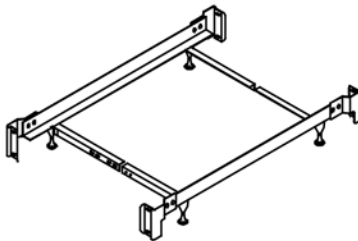
- (1) 1/4-20 3 1/2" FLAT ALLEN HEAD SCREW-8
- (3) 1/4-20 HEX NUT-4
- (4) 5/8" OD FLAT WASHER-4
- (5) 7/8" OD RUBBER WASHER-4
- (6) ALLEN WRENCH
- (7) 1 1/2" X Ø5/16" WOOD DOWEL-4



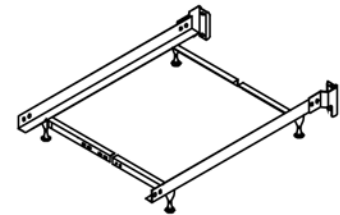
PRODUCT FULLY ASSEMBLED



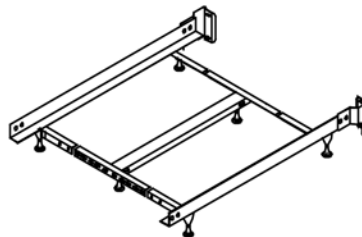
NOTE: SEE INSTRUCTIONS INCLUDED IN FRAME CARTON FOR FRAME ASSEMBLY



NOTE: SEE INSTRUCTIONS INCLUDED IN FRAME CARTON FOR FRAME ASSEMBLY



NOTE: SEE INSTRUCTIONS INCLUDED IN FRAME CARTON FOR FRAME ASSEMBLY



NOTE: SEE INSTRUCTIONS INCLUDED IN FRAME CARTON FOR FRAME ASSEMBLY

Instruction Sheet

SAVE ALL PACKAGING MATERIALS UNTIL PRODUCT IS FULLY ASSEMBLED. HARDWARE AND SMALL PIECES MAY NOT BE SEEN AND BE ACCIDENTALLY DISCARDED WITH PACKAGING MATERIALS.

FIGURE 1

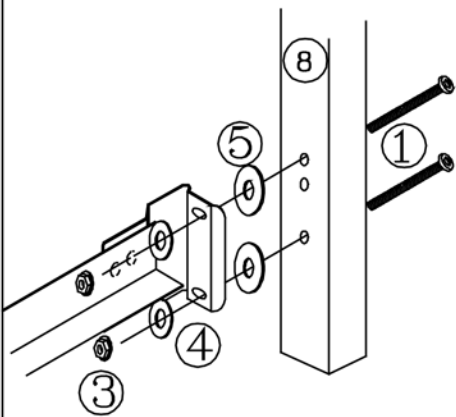
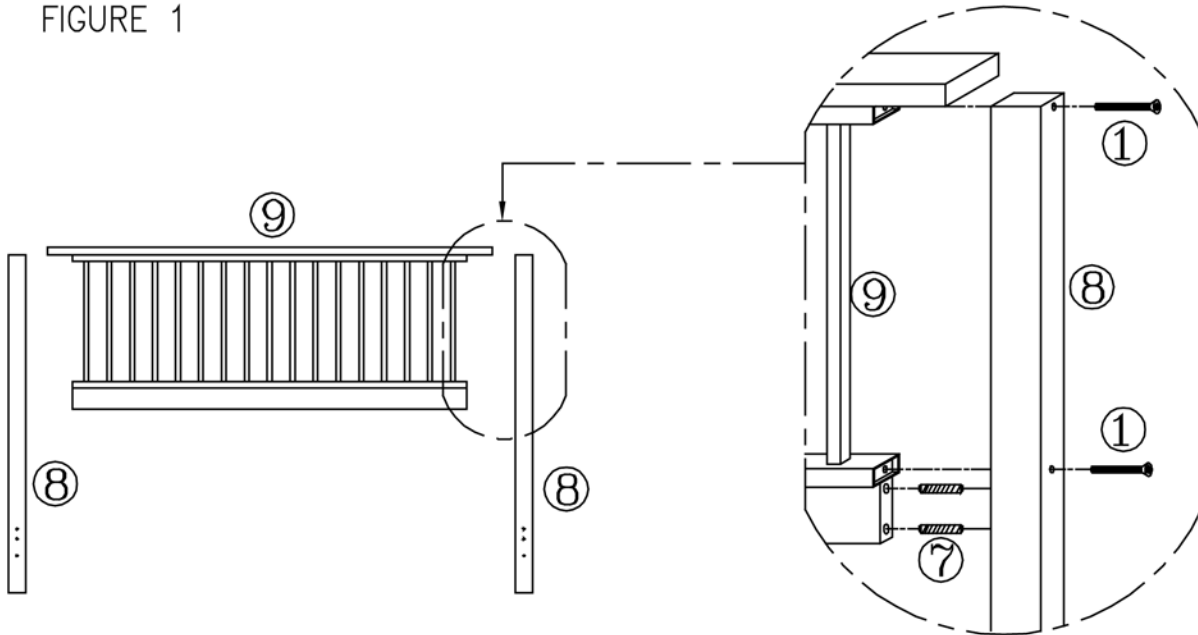


FIGURE 2

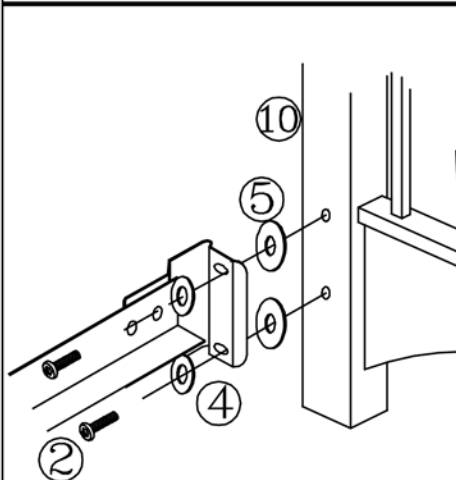


FIGURE 3

Step 1

- Insert wood dowels (7) into bottom of headboard panel rail. See Figure 1
- Align headboard panel (9) rail ends with holes in headboard post (8). See Figure 1
- Secure post (8) to panel (9) with screws (1). See Figure 1
- Repeat on other side of headboard panel.
- Tighten all screws securely using the Allen wrench (6).

Step 2

- Place headboard and frame in desired location in room.
- Place 2 screws (1) through holes located in post (7). (See Figure 2) Slide rubber washers (5) over screws (1).
- Align bed frame bracket over screws.
- Place a flat washer (4) and then a nut (3) on each screw. Hand-tighten, DO NOT TIGHTEN screws all the way.
- Repeat on other side of headboard.
- Tighten all screws securely using the Allen wrench (6).

Step 3

- Position footboard panel (10) and align holes in the post with holes in the frame bracket. See Figure 3
- Place flat washer (4) on each screw (2). Insert through bracket, rubber washer (5) and into post. Hand-tighten, DO NOT TIGHTEN screws all the way.
- Repeat on other side of footboard panel.
- Tighten all screws securely using the Allen wrench (6).