

# HILL-A-MATIC BED FRAMES

Date: 06-14-05

Model #90036 Twin & Full Size Bed Frames (does not include Center Support Rail)

Model #90056 Queen & King Size Bed Frames

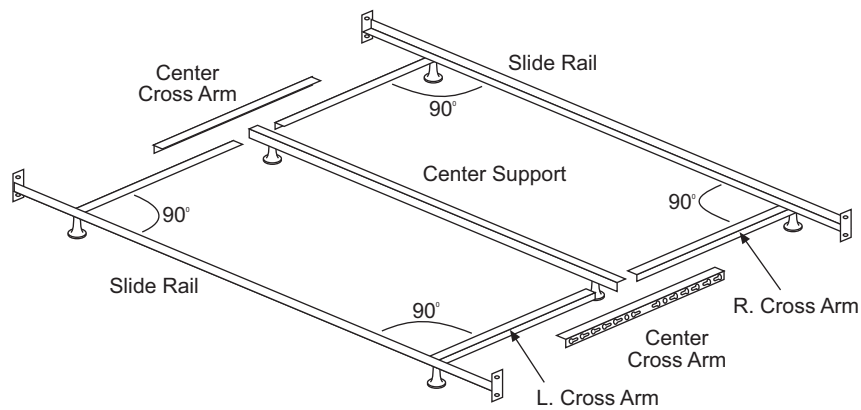
## STEP 1

Lay out bed rail parts as shown in STEP 1. Swing open right and left cross arms.

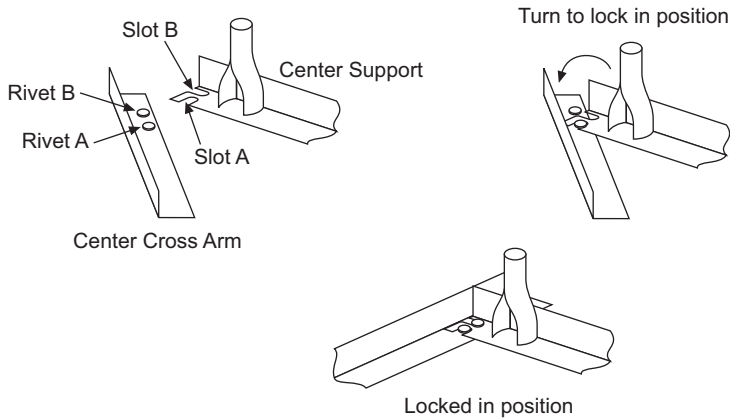
## STEP 2

Turn the center support so that the flat angle (the top) rests on the floor and the legs are pointing up as shown in STEP 2. Also turn the center cross arms up side down so that the shoulder rivets are also pointing up. Insert the rivet A in the slot A as shown in STEP 2. Pivot the cross arm so that rivet B comes to rest into slot B. Repeat for the opposite end of the center support.

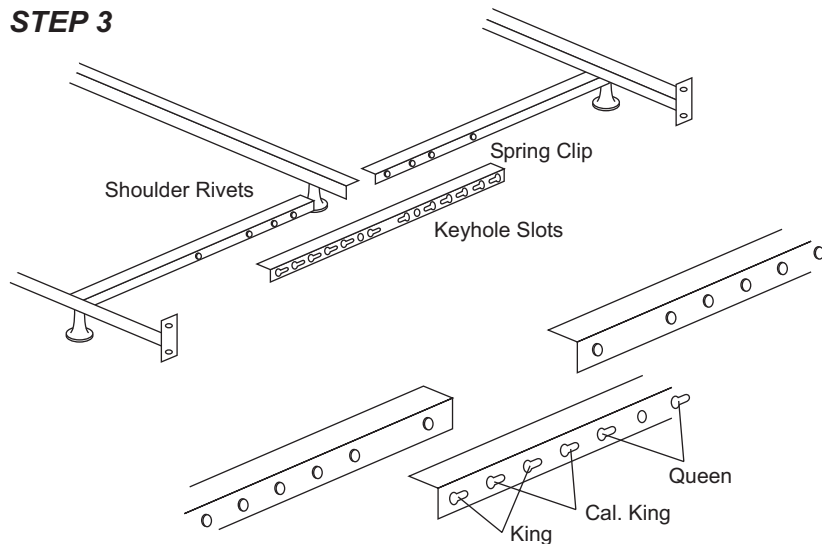
## STEP 1



## STEP 2



## STEP 3



## STEP 3

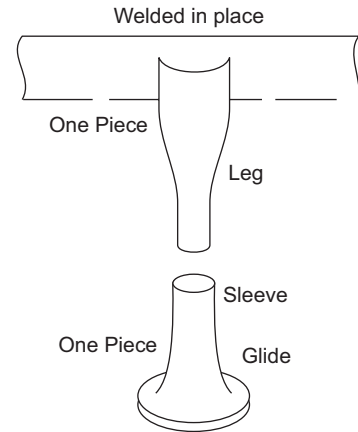
Determine desired bedding size (Queen, Cal. King, or King). Overlap the cross arms and insert the shoulder rivets into the proper keyhole slots. Step 3 shows the size adjustments. Note that the widest keyhole slots are for king and the narrowest keyhole slots are for queen with the cal. king slots in the middle.

## STEP 4

Slide the brass sleeves over the top of the plastic glides and push the glides onto the metal legs. **IMPORTANT:** Do not fully insert glides onto metal leg of frame until the frame has been attached to the Headboard & the Footboard.

**Note:** Twin & Full Size Mattress Frames do not include the Center Support Rail as it is not needed for this size beds.

## STEP 4



## STEP 5

The Hill-A-Matic Bed Frame fits both flat & curved surface bed posts.

**\*\*\* IMPORTANT \*\*\***

IT IS NOT NECESSARY TO USE a Rubber Washer that has been provided in the hardware pack; when assembling to a flat surface post.

