



WINDSOR BED

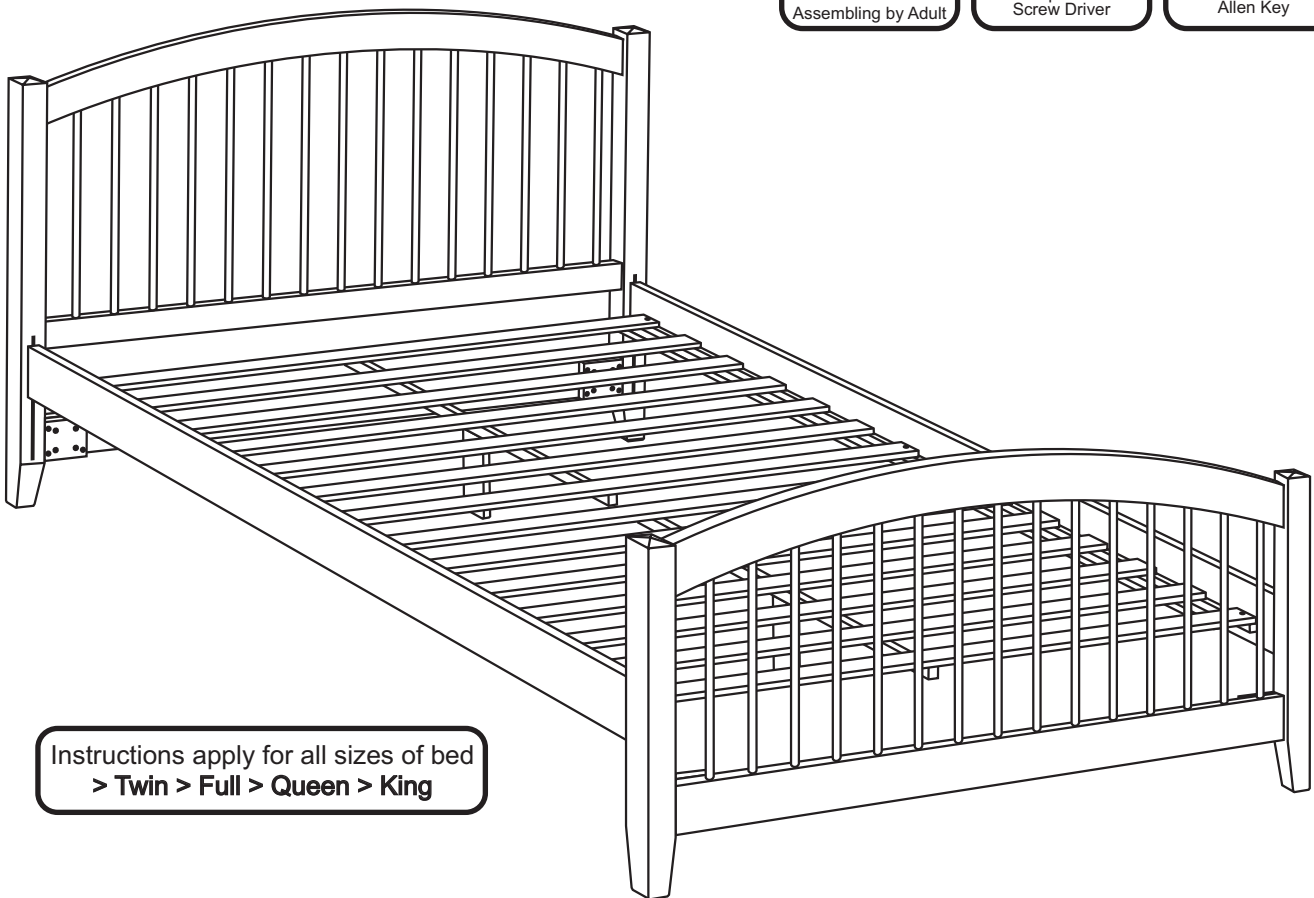
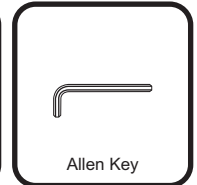
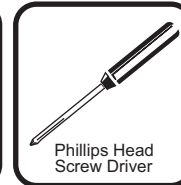


ASSEMBLY INSTRUCTIONS

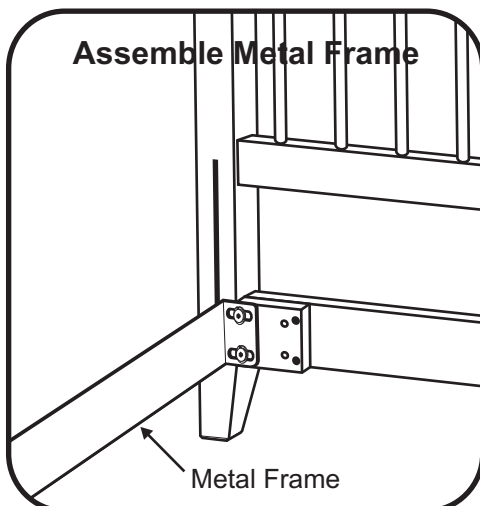
Thank you for choosing our new adjustable height bed frame
This practical design offers the utmost in versatility

Before assembling your Windsor Bed, please read through these instructions carefully, familiarising yourself with the different parts

Please note that you will require a Phillips Head Screw-driver and an Allen Key.



Instructions apply for all sizes of bed
> Twin > Full > Queen > King



HARDWARE

For Headboard, Footboard to Metal Bed Frame



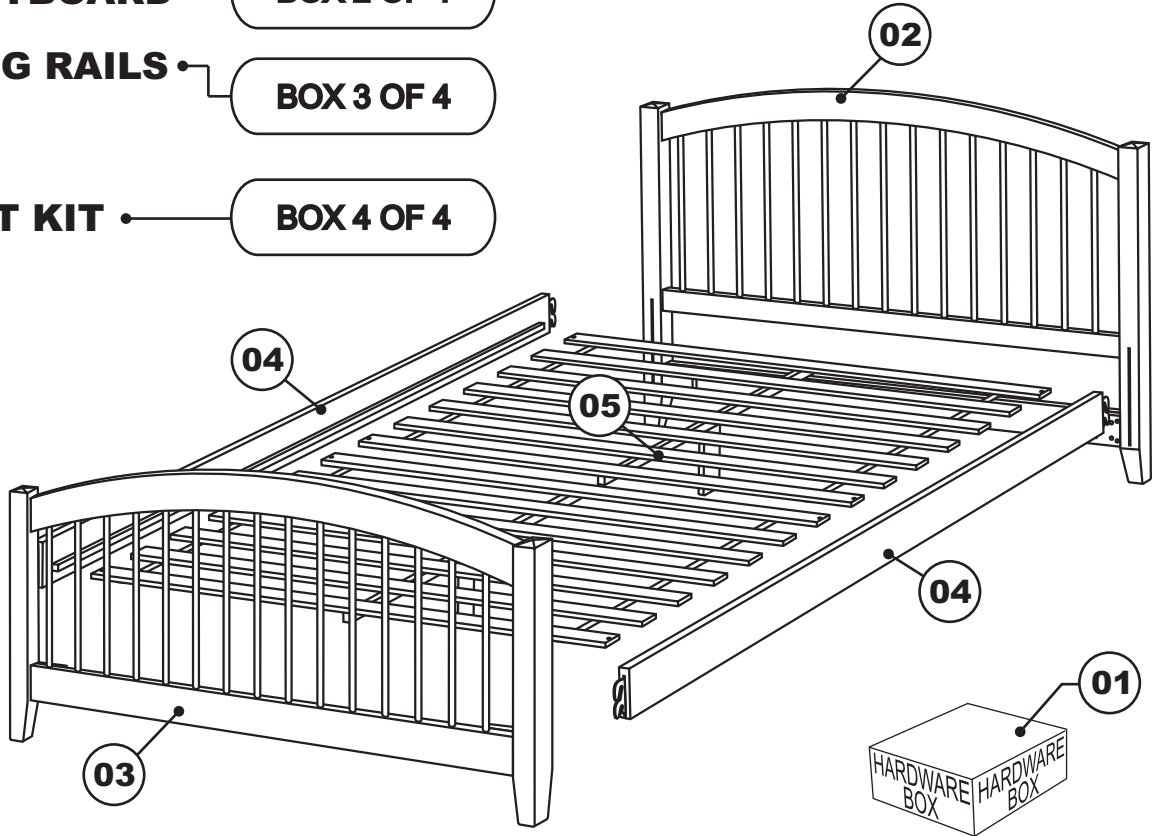
1 1/2" Allen Bolts - 8 pcs.
For Headboard, Footboard to metal Bed Frame



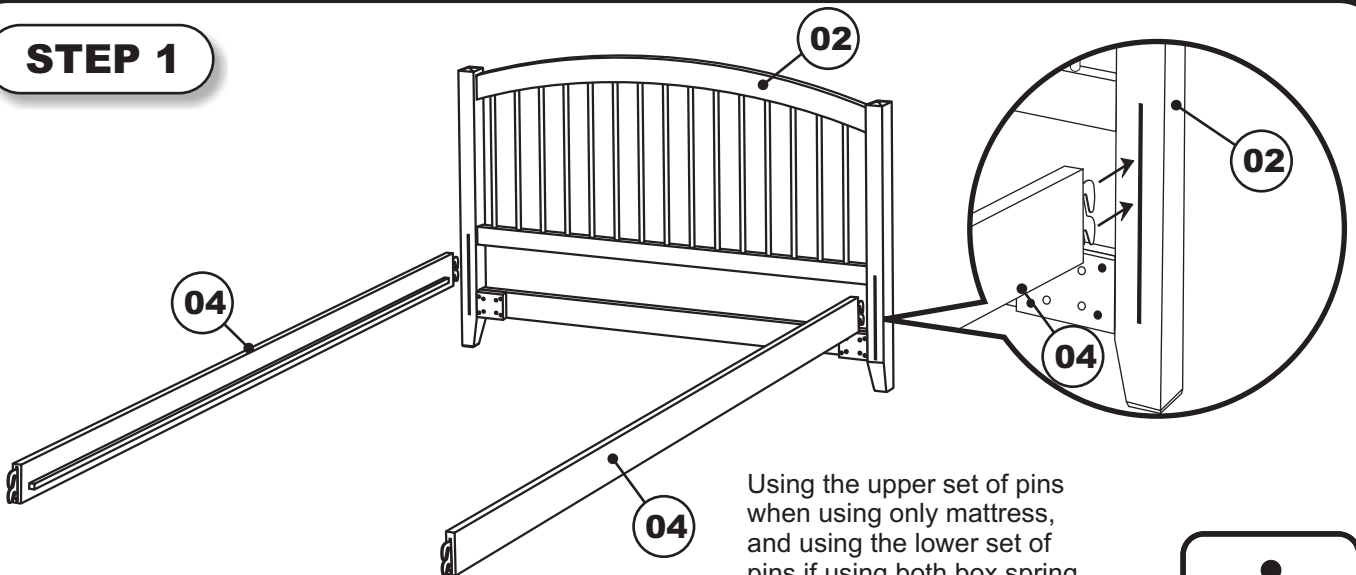
Split Washer - 8 pcs

PARTS LIST

- 01 **HARDWARE** — BOX 1 OF 4
- 02 **HEADBOARD** — BOX 2 OF 4
- 03 **FOOTBOARD** — BOX 2 OF 4
- 04 **LONG RAILS** — BOX 3 OF 4
- 05 **SLAT KIT** — BOX 4 OF 4



STEP 1



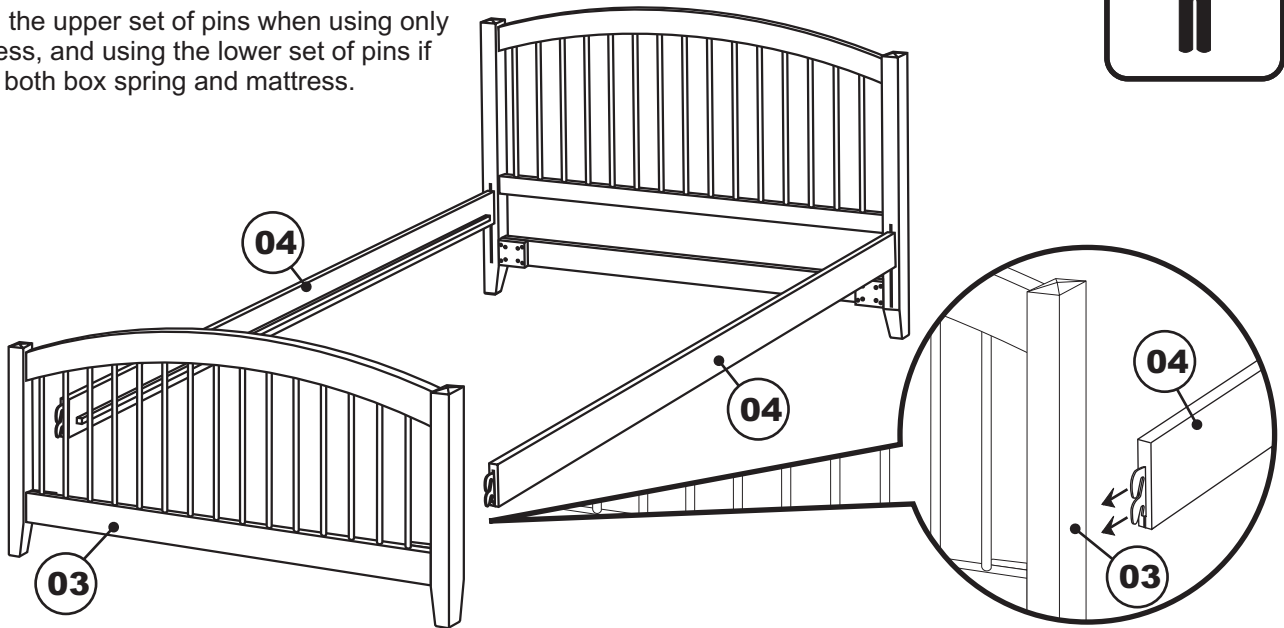
Using the upper set of pins when using only mattress, and using the lower set of pins if using both box spring and mattress.



Attach the Long Rail (04) to Headboard (02) using bed hook as shown. Repeat with the other Long Rail.

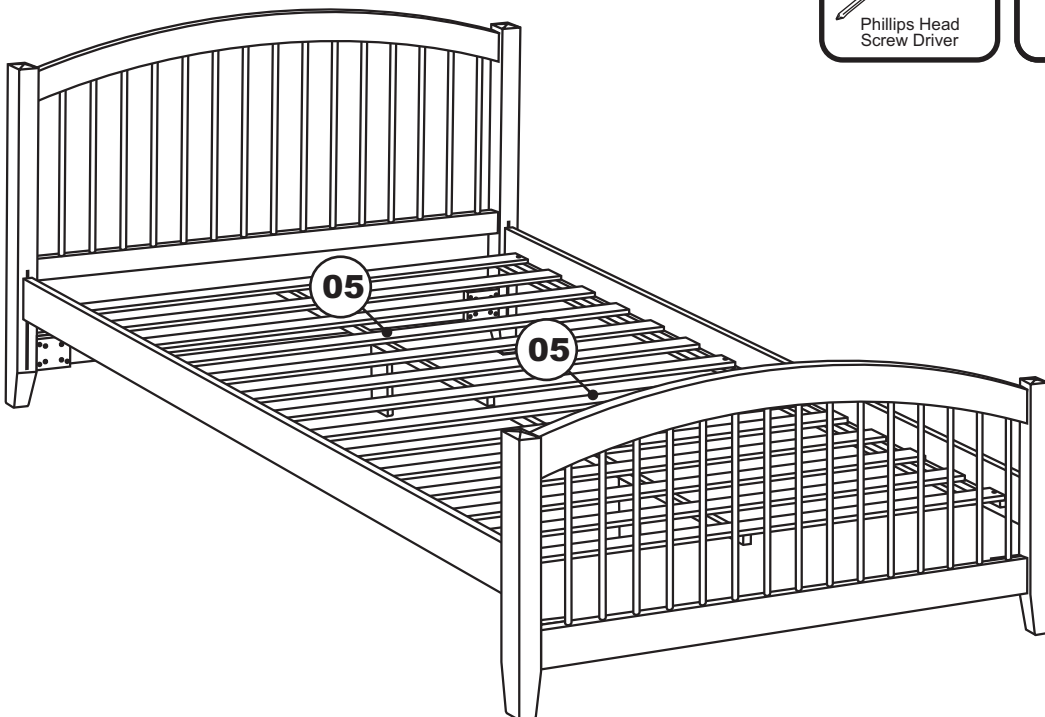
STEP 2

Using the upper set of pins when using only mattress, and using the lower set of pins if using both box spring and mattress.



Attach the other end of the Long Rail (04) to the Footboard (03) using bed hook as shown.

STEP 3



For Slat Kit Assembly, follow Assembly Instruction included with Slat Kit.

Congratulations !

Your Windsor Bed is now ready for use.

We recommend that you recheck that all screws are tightened
And that all parts are secure before use and Periodically to ensure Safety.