



# MILANO BED



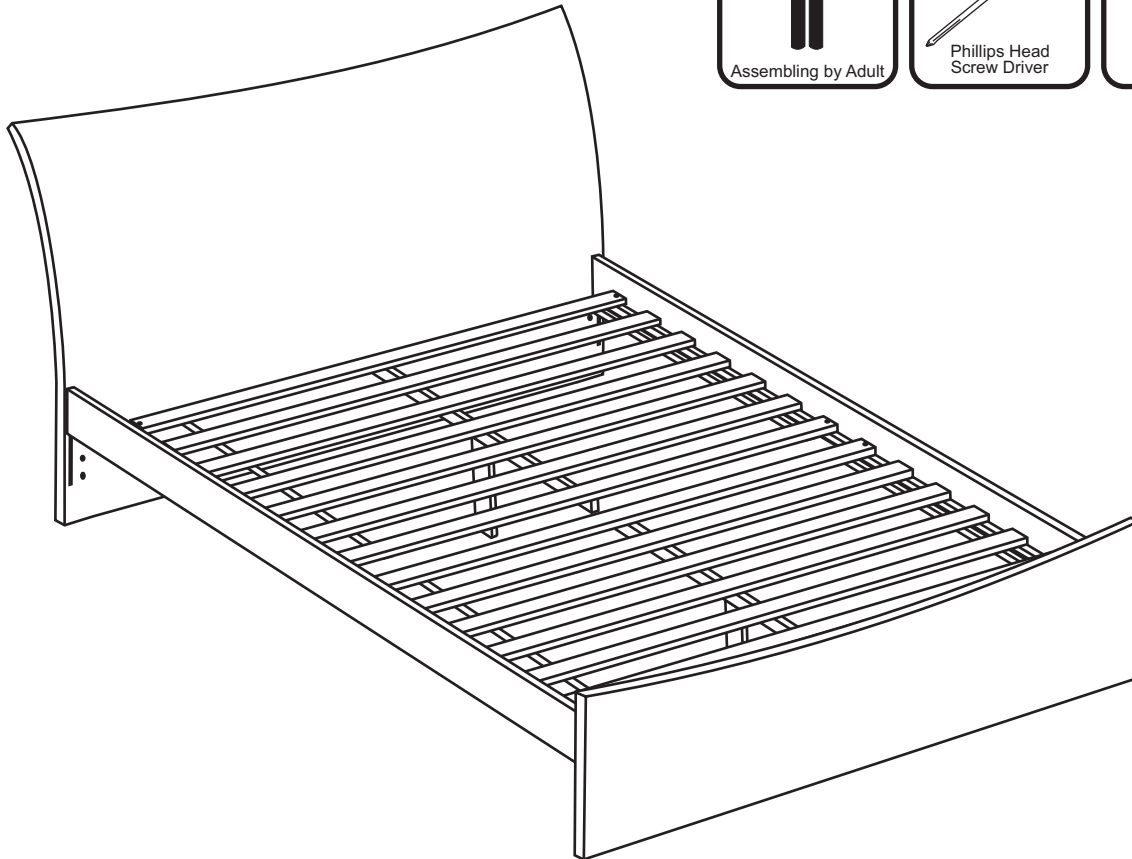
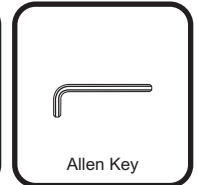
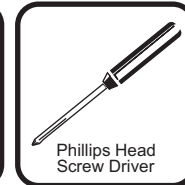
## ASSEMBLY INSTRUCTIONS

Thank you for choosing our new adjustable height bed frame.

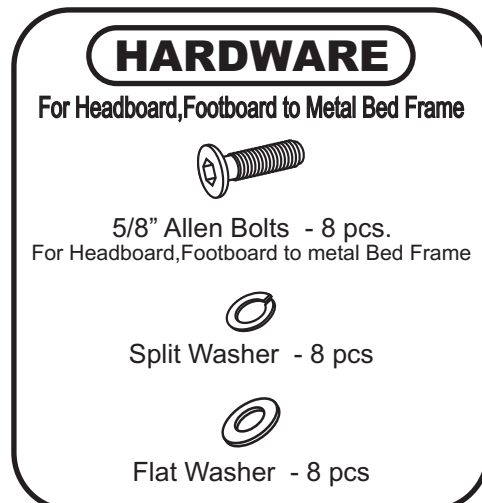
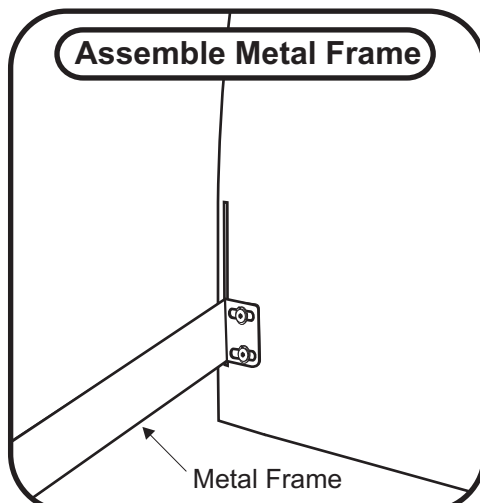
This practical design offers the utmost in versatility.

Before assembling your Milano Bed, please read through these instructions carefully, familiarising yourself with the different parts.

Please note that you will require a Phillips Head Screw-driver and an Allen Key.

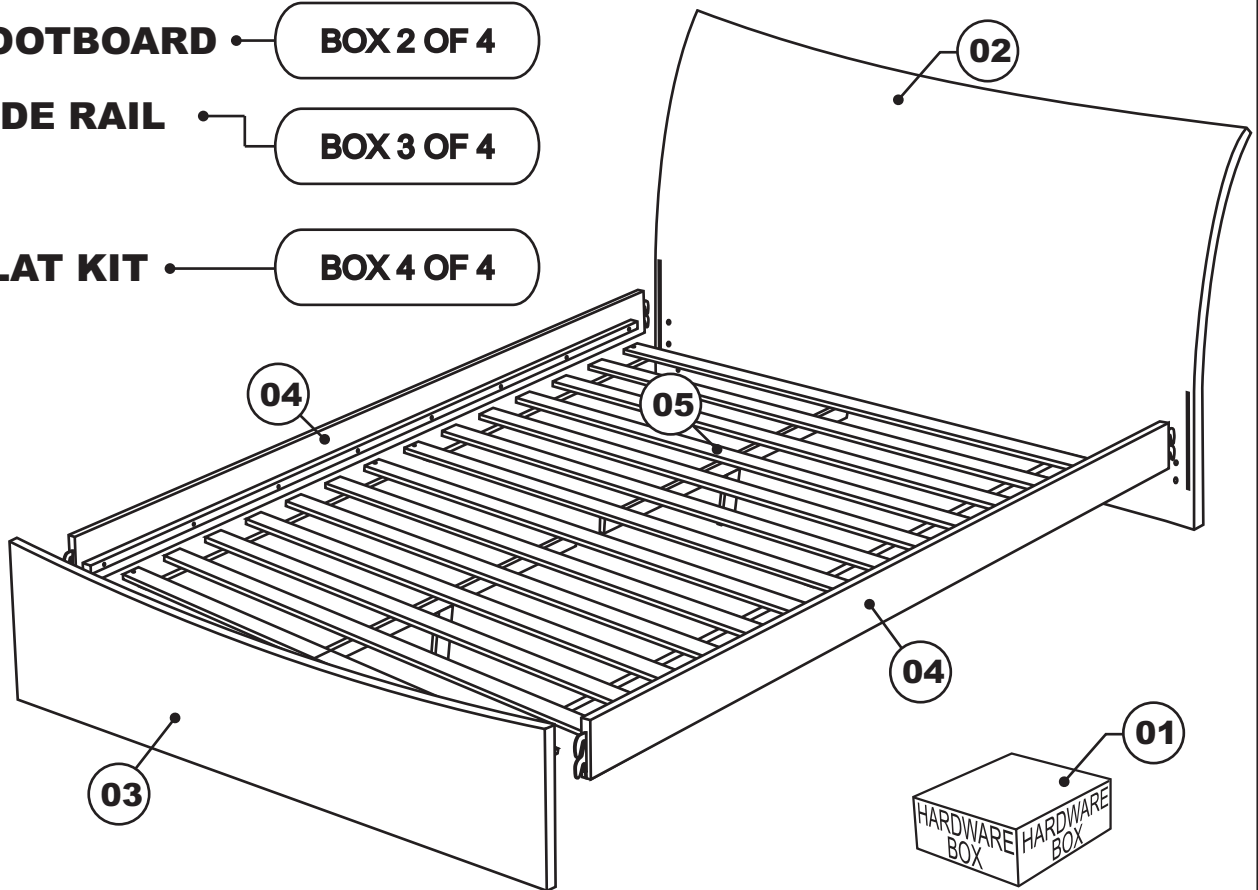


Instructions apply for all sizes of bed  
> Twin > Full > Queen > King

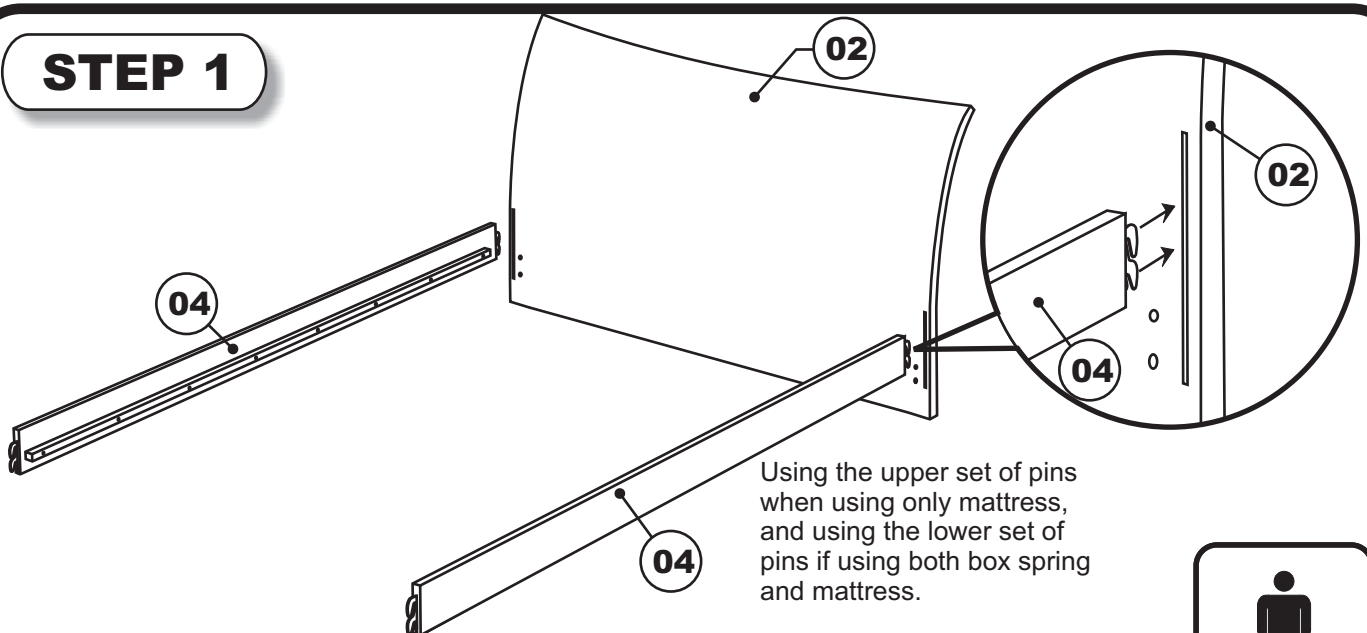


# PARTS LIST

- 01 **HARDWARE** — BOX 1 OF 4
- 02 **HEADBOARD** — BOX 1 OF 4
- 03 **FOOTBOARD** — BOX 2 OF 4
- 04 **SIDE RAIL** — BOX 3 OF 4
- 05 **SLAT KIT** — BOX 4 OF 4



## STEP 1



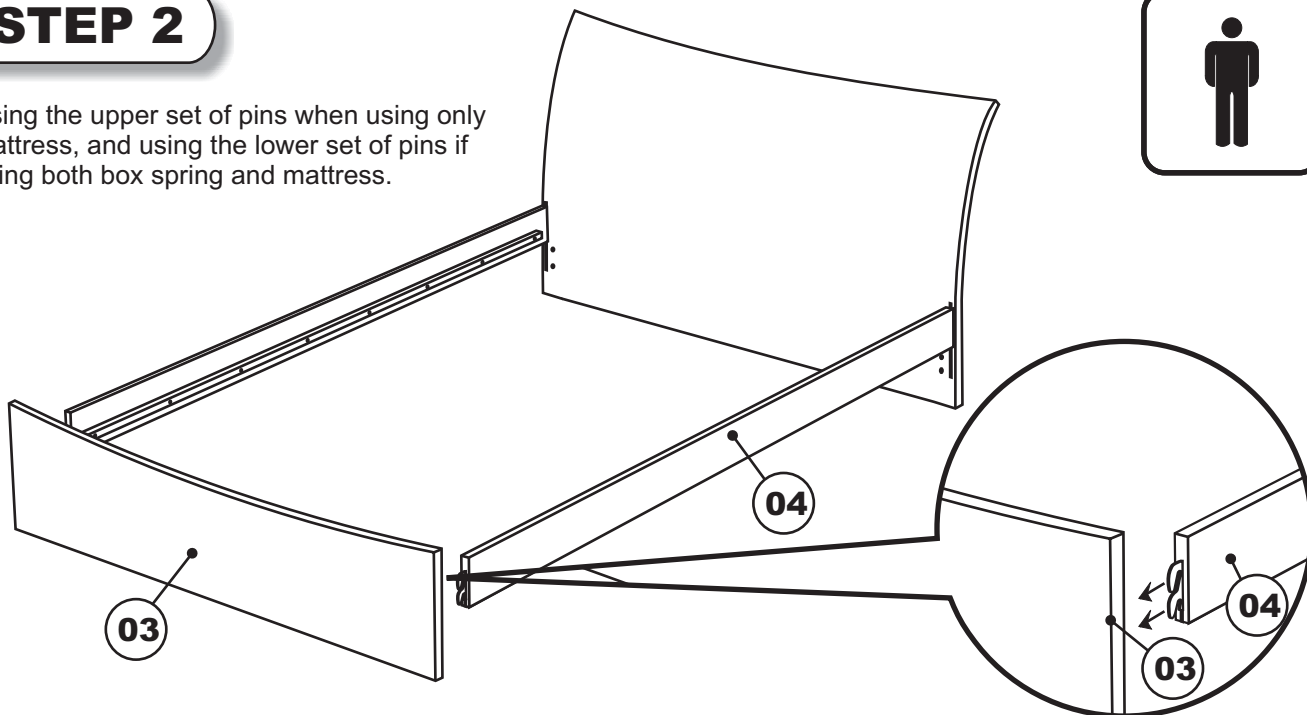
Using the upper set of pins when using only mattress, and using the lower set of pins if using both box spring and mattress.

Attach the Side Rail to Headboard using bed hook as shown. Repeat with the other Side Rail.



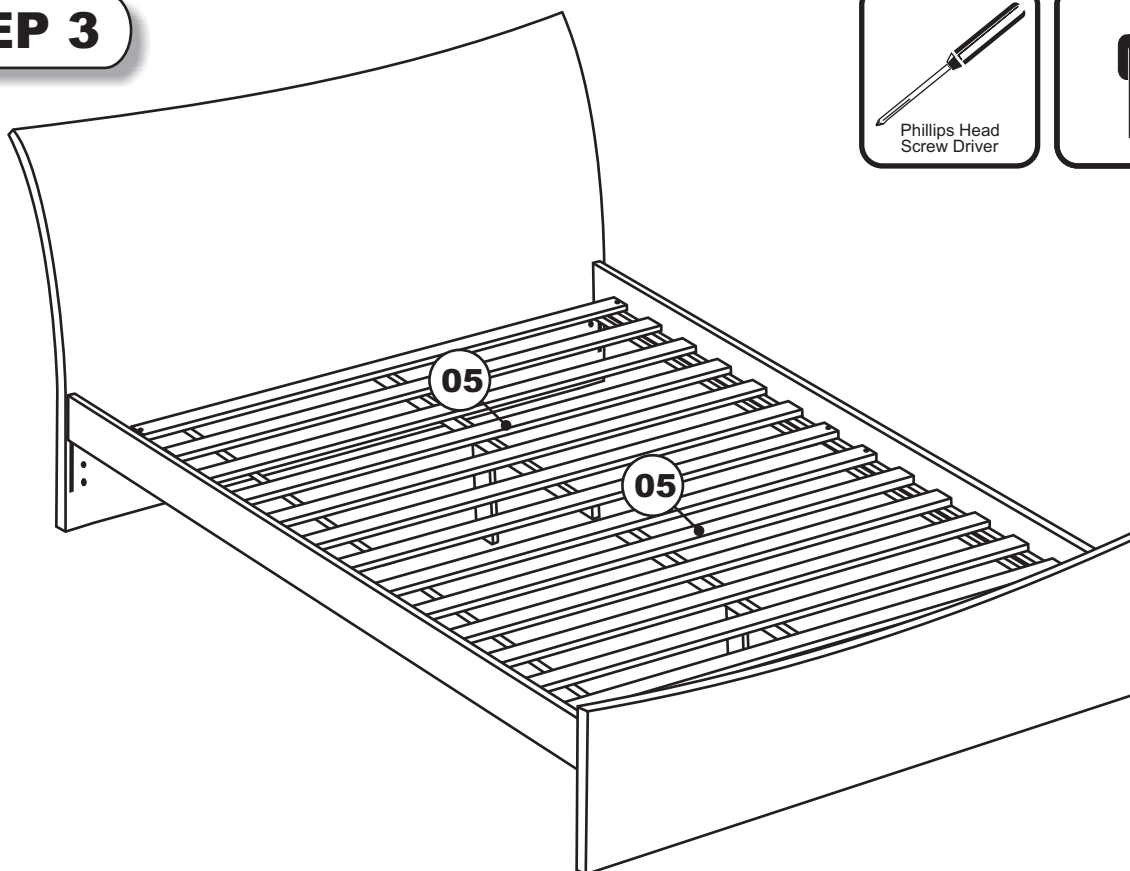
## STEP 2

Using the upper set of pins when using only mattress, and using the lower set of pins if using both box spring and mattress.



Attach the other end of the Side Rails to the Footboard using bed hook as shown.

## STEP 3



For Slat Kit Assembly, follow Assembly Instruction included with Slat Kit.

## Congratulations !

Your Milano Bed is now ready for use.

We recommend that you recheck that all screws are tightened  
And that all parts are secure before use and Periodically to ensure Safety.



# MILANO BED DRAWER

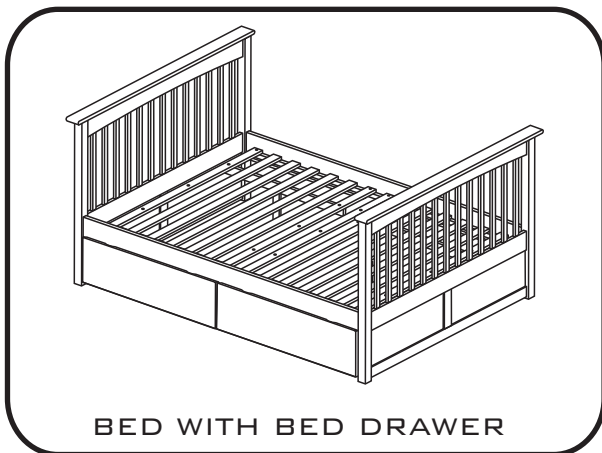
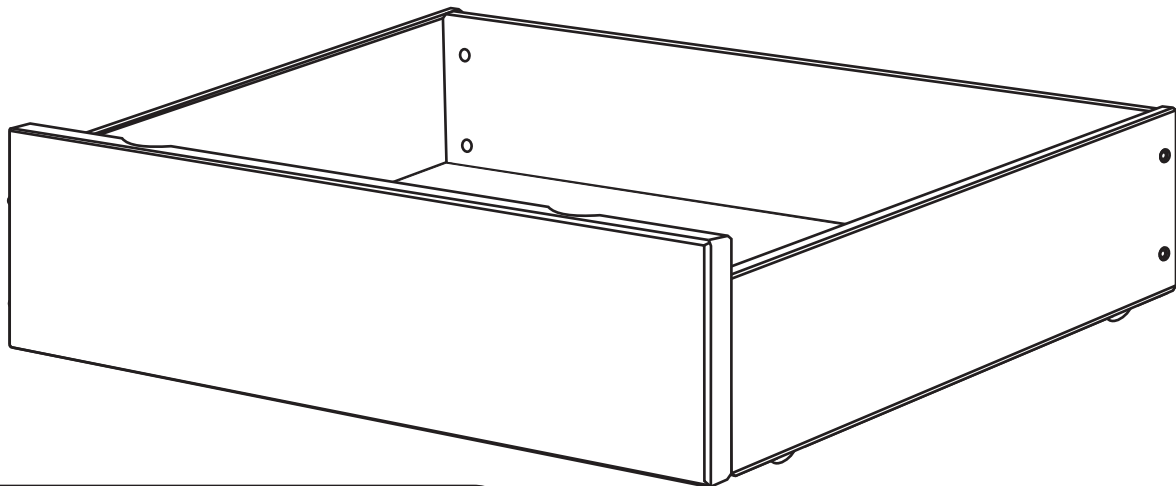


## ASSEMBLY INSTRUCTIONS

Thank you for choosing our new Milano bed drawer.

This practical design offers the utmost in versatility.

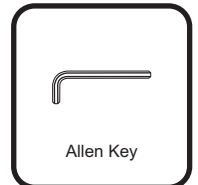
Before assembling your Drawer Bed, please read through these instructions carefully, familiarise yourself with the different parts.



BED WITH BED DRAWER

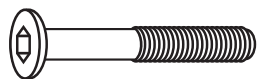


Assembling by Adult



Allen Key

## HARDWARE



**A**

JCB M6 X 2 1/2" ( 60mm ) - 8 pcs  
Fix Drawer side to Drawer Back



**C**

JCB M6 X 5/8" ( 15mm ) - 8 pcs  
Fix Drawer side to Drawer face



**B**

Barrel Nut - 8 pcs  
For JCB M6 X 2 1/2"



**D**

Allen Key - 1 pcs

# PARTS LIST

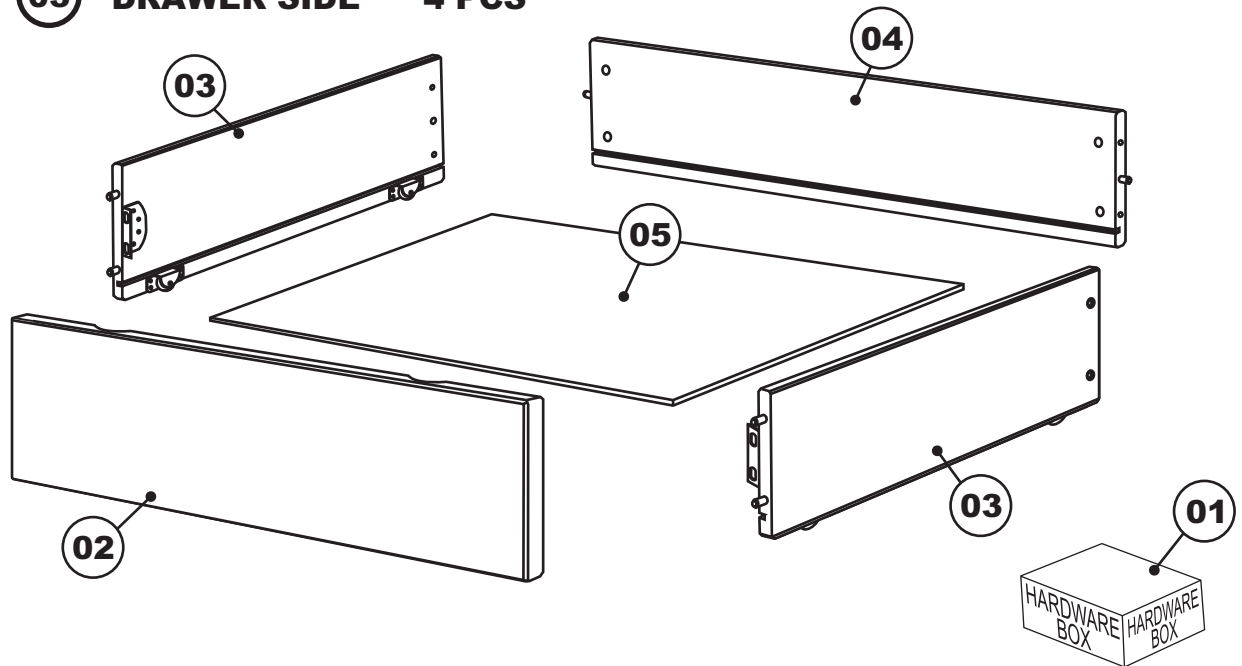
01 HARDWARE 1 BOX

02 DRAWER FACE 2 PCS

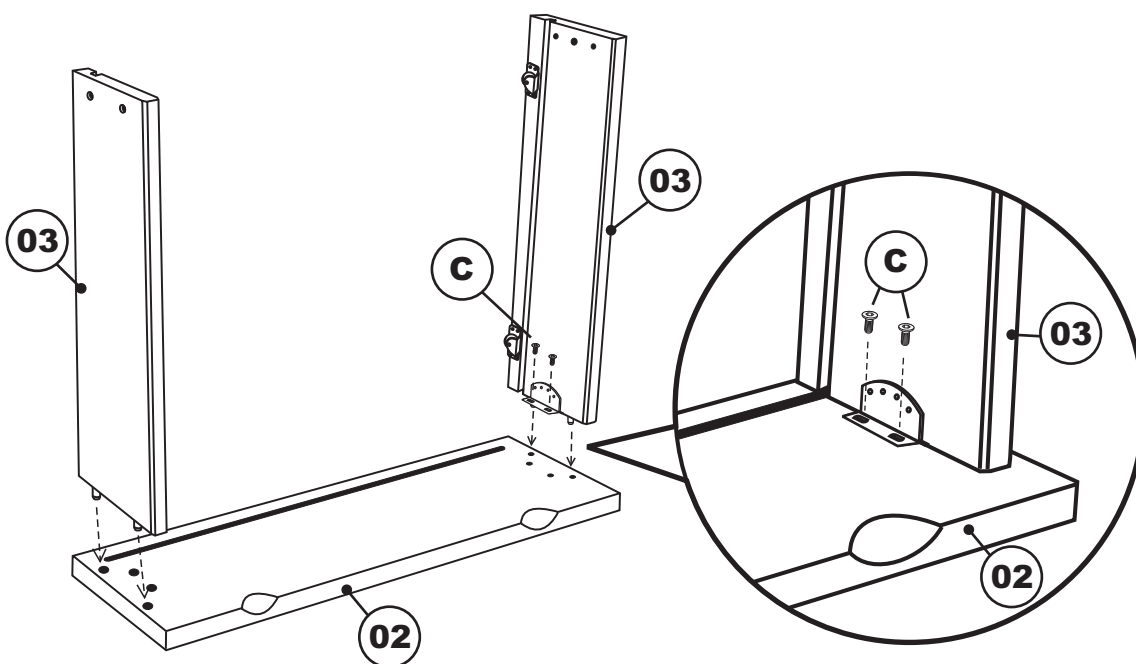
03 DRAWER SIDE 4 PCS

04 DRAWER BACK 2 PCS

05 DRAWER PANEL 2 PCS



## STEP 1



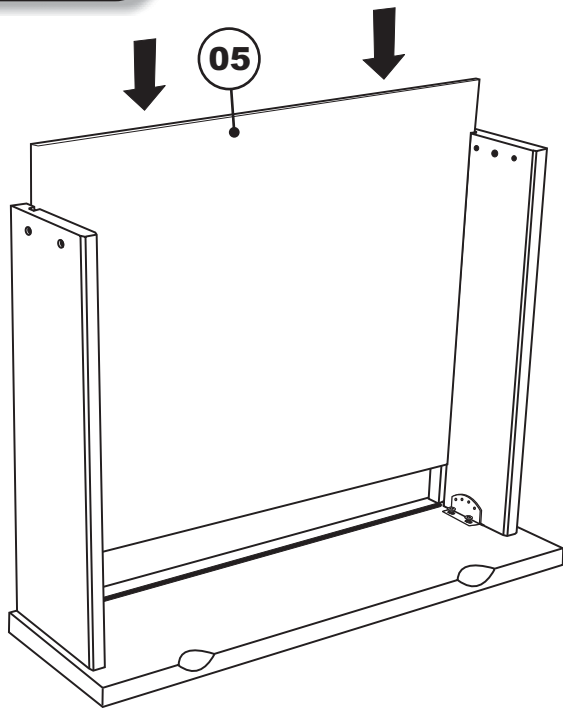
C



JCB M6 X 5/8"

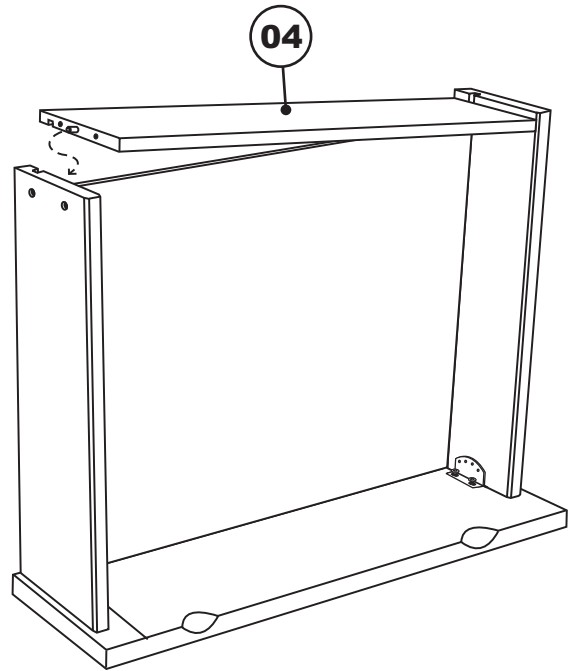
Lay the Drawer Face(02) on smooth, flat surface so the holes and groove are facing upwards. Fit the Drawer Side(03) to Drawer Face(02), fitting the Dowels in the holes. Use JCB M6 X 5/8" (C) to attach the Drawer Side in place, but don't fully tighten these yet. Leave them a bit loose to make fitting the Drawer Back easier.

## STEP 2



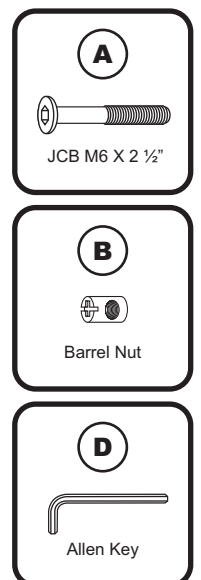
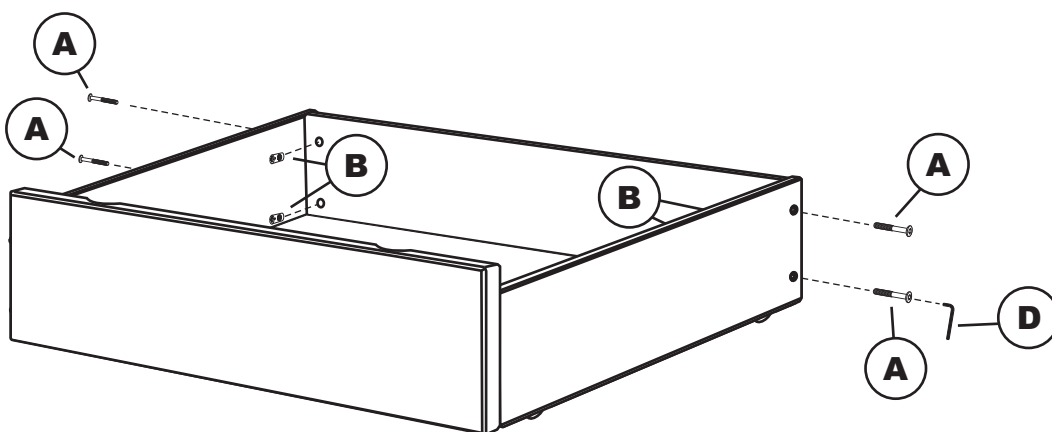
Guide the Drawer Panel(05) in carefully so that it won't jump out of its grooves. Be sure it fits fully into its groove at the bottom( in the Drawer Face ) before fitting the Drawer Back.

## STEP 3



You will need to spread the Drawer side apart a bit to fit the dowels in the Drawer Back into their holes. Do this gently, please! Remember the JCB in step1 must be a bit loose. After this, tighten all the JCB on the Drawer Face.

## STEP 4



Carefully turn the assembled Drawer down, onto its wheels. Using the JCB M6 X 2 1/2"(A) and Barrel Nuts (B), tighten with the Allen Key (D).